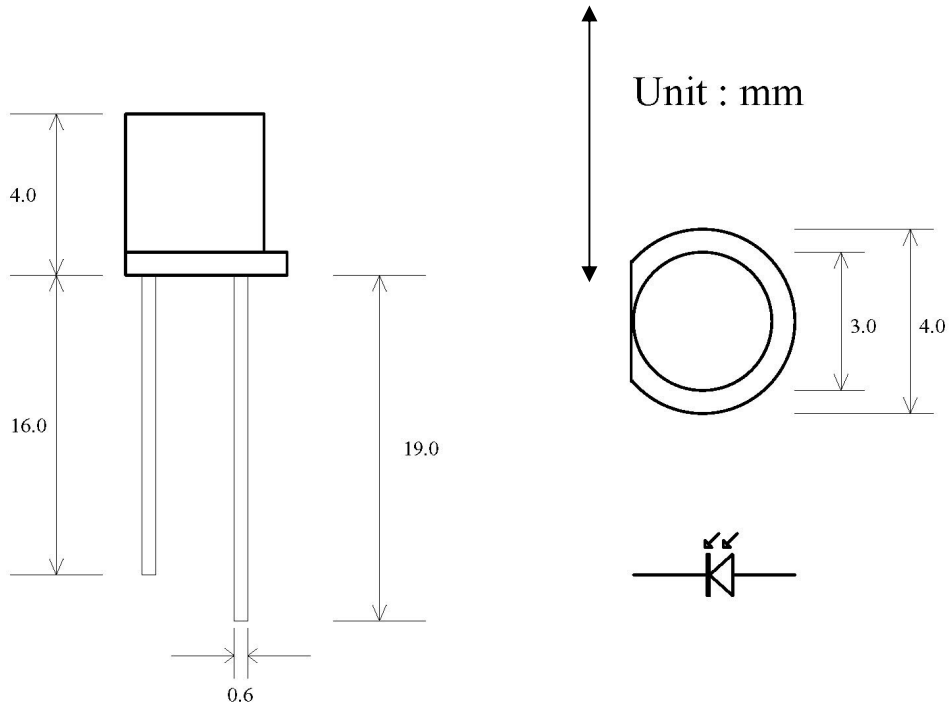


UVI-01 Ultraviolet rays detector



Features

The feature of the UVI-01 is able to detect the UVA and UVB band, and direct output the UVI (Ultraviolet INDEX), The UVI-01 is very suitable for the field of UV measurements. °

Absolute Maximum Ratings

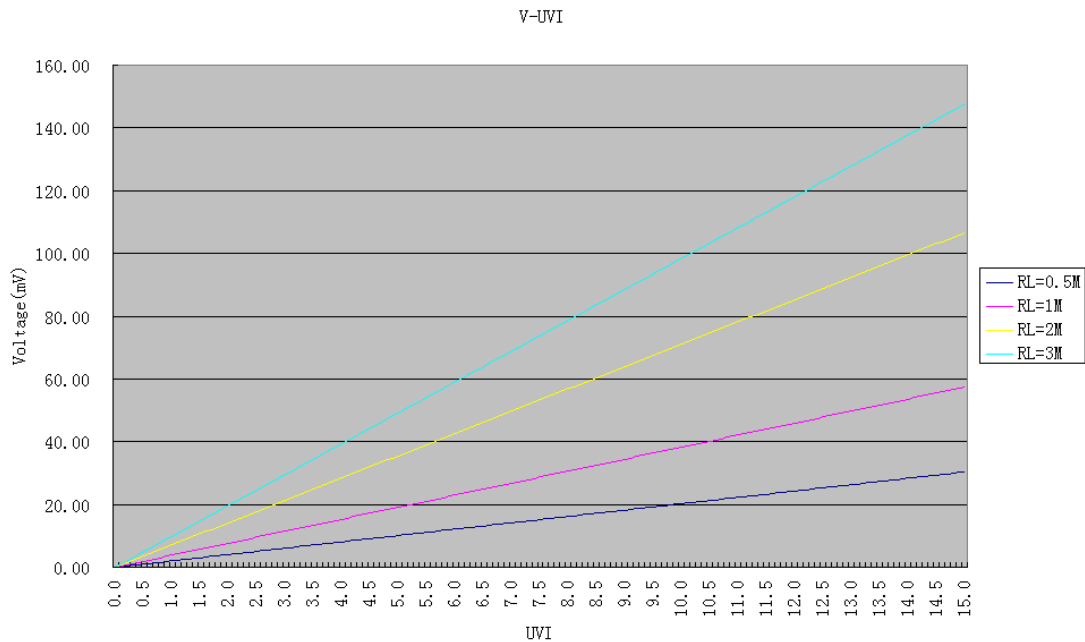
Parameter	Min	Max	Unit
Operating ambient temperature range	-25	+70	°C
Storage temperature range	-40	+70	°C
Package body temperature		+260	°C
Humidity non-condensing	5	85	%RH

ELECTTO-OPTICALCHARACTERISTICS

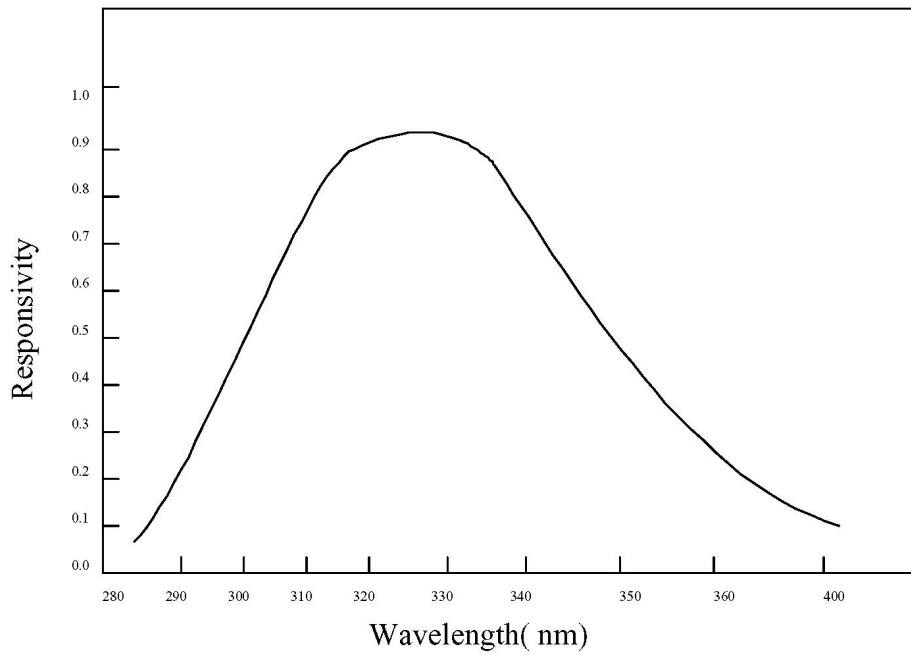
(Ta=25°C)

Parameter	Symbol	Condition	Min	Typ	Max	Unit
Spectral wavelength detection range	λ_b	—	290	—	400	nm
The most sensitive wavelength	λ_p	—	—	330	—	nm
Output voltage	V_{dark}	$E_e=100\text{mW/m}^2$ $\lambda_p=330\text{nm}$	—	0	0.2	mV
Sensitivity	V_s	$R_L=1\text{M}\Omega$	3.9	4.0	4.1	mV/UVI
Inaccuracy	%				15	%
Reverse breakdown voltage	V_{BR}	—	30	40	100	V
Forward voltage	V_F	$I_f=10\text{mA}$	2.6	3.0	3.5	V
Capacity	C_t	$f=1\text{MHz}$	—	6	—	pF
Rise time	t_r	$R_L=1\text{M}\Omega$	—	10	—	mS
Fall time	t_f	$C_L=1000\text{pF}$	—	500	—	mS

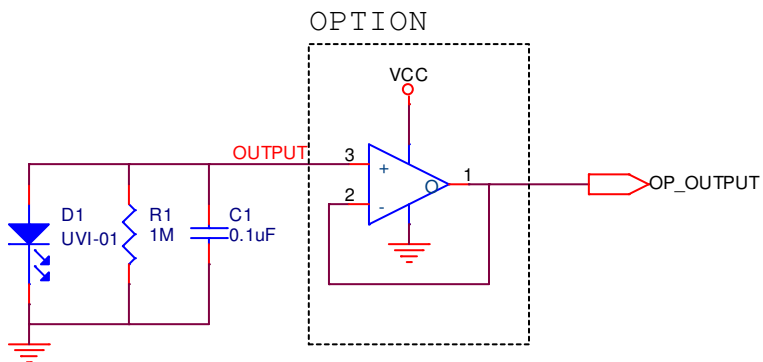
UVI vs. Voltage output



Wave length vs. Responsivity



Application Circuit



REYAX TECHNOLOGY CO.,LTD.

Address : 6F.-3, No.6, Aly. 30, Ln. 210, Wende Rd., Neihu Dist., Taipei City 11476,
Taiwan

Web : <http://www.reyax.com>

Tel : +886-2-2627-2777

Fax : +886-2-2627-2781

E-mail : sales@reyax.com